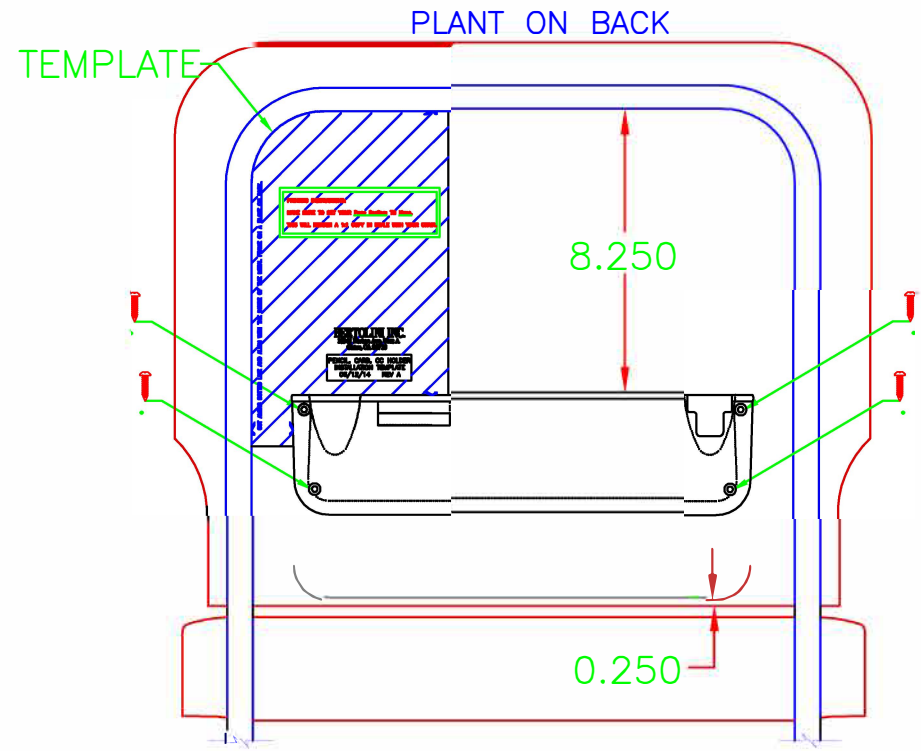
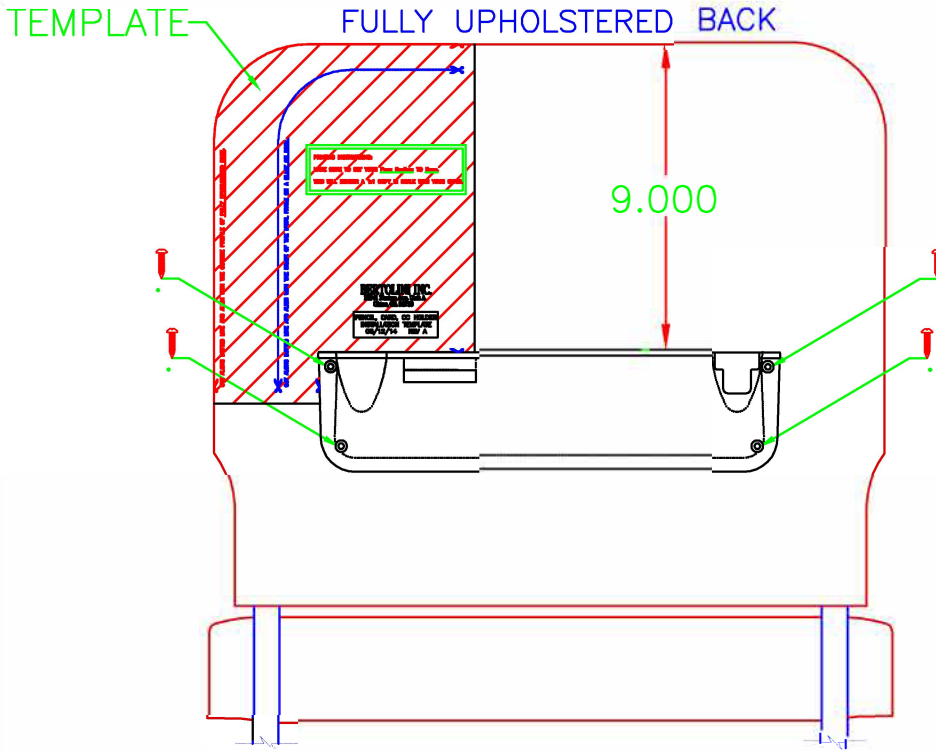


THIS IS NOT AN OFFICIAL DRAWING UNLESS
 MARKED WITH A CONTROL STAMP IN RED INK.
 NOTES: UNLESS OTHERWISE SPECIFIED

| REVISION | | | | |
|----------|--------|-------------|------|----------|
| LTR | ECO NO | DESCRIPTION | DATE | CHK APVD |
| | | NEW RELEASE | | |



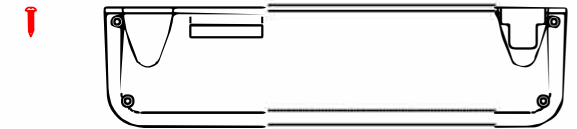
1. FLIP THE CHAIR OVER WITH THE REAR SIDE OF THE BACK REST FACING UP.
2. PLACE THE CARD PENCIL HOLDER ON THE DESIRED POSITION (AT CUSTOMER'S DISCRETION.)

WE RECOMMEND THE FOLLOWING:

- Download PDF Instructions, Template, and How-to Instructional Video at: bertolinidirect.com/all/card-and-cup-holder
 - PRINT THE TEMPLATE AND USE AS INSTRUCTED (SEE PICTURE ABOVE)
3. ATTACH THE HOLDER USING THE FOUR SCREWS PROVIDED.

②

①



TOOLS REQUIRED:
 * CORDLESS DRILL
 * PHILLIPS DRIVER BIT

PROPRIETARY NOTICE

THE DATA CONTAINED HEREIN CONSTITUTE PROPRIETARY INFORMATION OF BERTOLINI INC., AND SHALL NOT BE USED, DUPLICATED OR DISCLOSED IN WHOLE OR IN PART WITHOUT THE PRIOR WRITTEN CONSENT OF BERTOLINI INC.

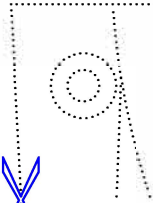
| | | | |
|--|--------|--|---|
| 2 | 4 | T01064 | SCREW, #8 x 3/4", PH, PAN HEAD, BLK OX |
| 1 | 1 | HBO1048 | Card, Pencil, & CC Holder, Black, ABS D-100 |
| ITEM | QTY | PART NO | DESCRIPTION |
| UNLESS OTHERWISE SPECIFIED DIMENSIONS ARE IN INCHES TOLERANCES: | | | DRAWN F. FLORES DESIGNER BERTOLINI |
| X FRACTION 1/4 1/8 | | | |
| ANGLES ± 1/2° INTERPRET DIM PER 000-2-1000 SURFACE FINISH: 125 | | | MATERIAL SEE PARTS LIST |
| BREAK SHARP CORNERS TO .015 R. OR CHAMFER FILES: .015 R. MAX. | | | |
| SCALE NONE | | | TITLE BERTOLINI™ PENCIL, CARD, CC HOLDER INSTALLATION INSTRUCTIONS |
| FILENAME: 060301L_0408_006 HOLDER INSTALLATION INSTRUCTIONS SHEET | | | |
| SIZE D | DWG NO | PENCIL, CARD, CC HOLDER INSTALLATION INSTRUCTIONS | REV. A |



CUT ALONG DOTTED LINE AND ALIGN WITH THE OUTSIDE PROFILE OF FULLY UPHOLSTERED BACK.



CUT ALONG DOTTED LINE AND ALIGN WITH THE INSIDE OF THE METAL FRAME ON A PLANT ON BACK.



PRINTING INSTRUCTIONS:

MAKE SURE TO SET YOUR Page Scaling: TO None.

THIS WILL RENDER A 1:1 COPY IN SCALE WITH YOUR CHAIR.

BERTOLINI™

PENCIL, CARD, CC HOLDER
INSTALLATION TEMPLATE
REV A

